



**LED HIGH PERFORMANCE LUMINAIRE**  
**FEATURES & SPECIFICATIONS**

A small profile LED high-output commercial/industrial luminaire robustly designed in a sustainable platform for maximum performance with minimum energy use. With near tool-less design the VELOCIRAPTOR™ is ready to install right out of the box – no assembly required. Integral multi-volt power supply (120-277V) takes the guesswork out of what to stock. Rated for extreme life length, this product offers outstanding savings on installation and maintenance labor costs.

**UL/CUL Damp Location Listed. MADE IN USA.**

**Housing**

Two-piece extruded aluminum housing with integral LED heat-sinks and integral power supply. Clear anodized standard finish. Injection molded polycarbonate end caps with wiring knockout.

**Electrical**

Each nominal 12" circuit board contains 24 Low Power, High Efficiency (114 lumen/Watt), 85 CRI LEDs arranged in parallel rows for uniformity of distribution and bi-level control via two switch legs. Dimming options available. Loss of one LED does not affect any others. Power Supply is 120-277V multivolt input, 18V output electronic HPF, <3% THD, UL/CUL Class II listed. Input watts per nominal 4' fixture = 38W. L70 = >100,000 hrs.

**Optics**

Supplied with 0.125" DR acrylic snap-on interior-linear-prism obfuscation lens for beam control and diffusion. 5% nominal Uplight component.

**Mounting**

Fixture provided with Quick Clip™ snap-on mounting hardware for surface or suspended mounting. Consult factory for other mounting options.

**Shipping**

Shipped assembled & fully tested in Protective Job Pack.

**CATALOG NUMBER LOGIC:**

|  |
|--|
|  |
|--|

| FIXTURE MODEL | FIXTURE LENGTH | LAMP WATTS | LAMP COLOR TEMP. | BALLAST | OPTIONS |
|---------------|----------------|------------|------------------|---------|---------|
|---------------|----------------|------------|------------------|---------|---------|

**BALLAST AND OPTIONS DESCRIPTIONS:**

**MODEL:**  
VRAP1 = VELOCIRAPTOR™ LED PROFILE

**LENGTH:**  
2 = 2 FEET NOMINAL  
3 = 3 FEET NOMINAL  
4 = 4 FEET NOMINAL

**LAMP WATTAGE:**  
38 = 4' (NOM.) 24 LEDs per 12"

**COLOR TEMPERATURE (LAMP):**  
40 = 4000K (STANDARD)  
(Consult factory for other color temperatures)

**POWER SUPPLY:**  
MV = MULTI-VOLTAGE (120V to 277V, 50/60 Hz)  
DM = 0-10V DIMMING, 120-277V INPUT (Consult factory for list of compatible controls)

**MOUNTING:**  
**\* SPECIFY LENGTH OF DROP IN FEET**  
ACC\* = Aircraft cable suspension kit with bolt-on gripper (fits mtg. clips)  
ACP\* = Powered aircraft cable kit, one circuit, bolt-on gripper (fits mtg. clips)  
ACPB\* = Powered aircraft cable kit, two circuits, bolt-on gripper (fits mtg. clips)  
SC = Safety Cable, adjustable Gripper #2, 10' length

**OPTIONS:**  
**\*SPECIFY LENGTH OF DROP IN FEET**  
CS\* = CORDSET, 16/3, BLACK INSTALLED  
CT\* = CORDSET, 16/4, BLACK INSTALLED  
FW\* = FLEX WHIP, 3/8" 18/3 FILL, 1/2" FITTING  
OS = OCCUPANCY SENSOR, FIXTURE MOUNTED (SPECIFY DISTRIBUTION)  
PC = PHOTOCELL, FIXTURE MOUNTED (SHIPS INSTALLED)  
HM = FIXTURE TOP POWER ENTRY HOLE (SPECIFY LOCATION ON FIXTURE)

|                     |              |
|---------------------|--------------|
| <b>Project</b>      |              |
| <b>Fixture Type</b> |              |
| <b>Catalog #</b>    |              |
| <b>Distrib/Cont</b> |              |
| Date:               | Prepared By: |

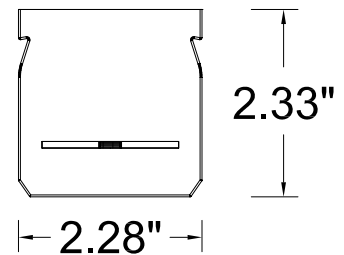
**VELOCIRAPTOR™ Series**

**VRAP1™**

PATENT PENDING



**Available in:  
2', 3', 4' lengths**



**Dimensions**

2.28"W x 2.33"H x 47.75"L

**Weight : 4 lbs. 14 oz.**

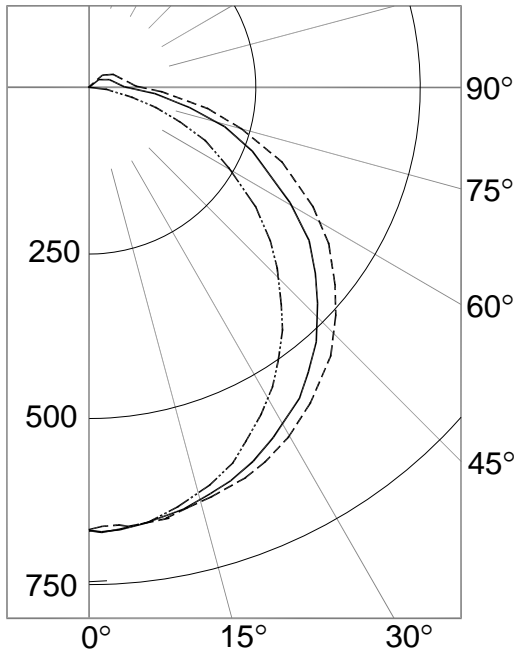


**VELOCIRAPTOR™ Series**  
**VRAP1™**

**PHOTOMETRIC TEST REPORT:**

REPORT NUMBER: ITL70739  
CATALOG NO.: VRAP1-4-34-40-MV-XX  
TOTAL INPUT WATTS: 37.4  
FIXTURE EFFICIENCY: WITH CLEAR LENS – 2309 LUMENS

**DISTRIBUTION CURVE**



LEGEND 0-deg: - - - - -  
45-deg: \_\_\_\_\_  
90-deg: - . - . - .

**CANDELA DISTRIBUTION**

|     | 0.0 | 22.5 | 45.0 | 67.5 | 90.0 |
|-----|-----|------|------|------|------|
| 0   | 666 | 666  | 666  | 666  | 666  |
| 5   | 659 | 659  | 665  | 665  | 665  |
| 15  | 645 | 644  | 644  | 638  | 634  |
| 25  | 623 | 619  | 609  | 589  | 576  |
| 35  | 582 | 576  | 558  | 523  | 500  |
| 45  | 519 | 514  | 487  | 438  | 404  |
| 55  | 447 | 440  | 404  | 340  | 300  |
| 65  | 354 | 347  | 307  | 236  | 193  |
| 75  | 240 | 235  | 201  | 138  | 99   |
| 85  | 129 | 124  | 101  | 56   | 26   |
| 90  | 86  | 82   | 64   | 27   | 0    |
| 95  | 67  | 63   | 52   | 21   | 0    |
| 105 | 54  | 51   | 41   | 15   | 0    |
| 115 | 45  | 41   | 31   | 11   | 0    |
| 125 | 36  | 32   | 22   | 7    | 0    |
| 135 | 26  | 22   | 14   | 5    | 0    |
| 145 | 14  | 12   | 8    | 3    | 0    |
| 155 | 7   | 6    | 4    | 1    | 0    |
| 165 | 4   | 2    | 2    | 1    | 0    |
| 175 | 1   | 0    | 0    | 0    | 0    |
| 180 | 0   | 0    | 0    | 0    | 0    |

**LUMINANCE DATA (CD/SQ. M)**

|    | 0-DEG | 45-DEG | 90-DEG |
|----|-------|--------|--------|
| 45 | 9839  | 9593   | 8785   |
| 55 | 9903  | 9430   | 8042   |
| 65 | 9792  | 9133   | 7022   |
| 75 | 9206  | 8603   | 5882   |
| 85 | 8489  | 8142   | 4587   |

**ZONAL LUMEN SUMMARY (@ 2309 LUMENS)**

| ZONE     | LUM. | %FIXT |
|----------|------|-------|
| 0 - 30   | 523  | 22.6  |
| 0 - 40   | 866  | 37.5  |
| 0 - 60   | 1581 | 68.5  |
| 0 - 90   | 2165 | 93.8  |
| 90 - 120 | 109  | 4.7   |
| 90 - 130 | 127  | 5.5   |
| 90 - 180 | 142  | 6.1   |
| 90 - 180 | 144  | 6.2   |
| 0 - 180  | 2309 | 100   |

**COEFFICIENTS OF UTILIZATION ZONAL CAVITY METHOD**

| RF | 20              | 20              | 20          | 20          | 20       | 20 |
|----|-----------------|-----------------|-------------|-------------|----------|----|
| RC | 80              | 70              | 50          | 30          | 10       | 0  |
| RW | 70 50 30 10     | 70 50 30 10     | 50 30 10    | 50 30 10    | 50 30 10 | 0  |
| 0  | 118 118 118 118 | 114 114 114 114 | 108 108 108 | 102 102 102 | 96 96 96 | 94 |
| 1  | 106 100 96 91   | 102 98 93 89    | 92 89 85    | 87 84 82    | 82 80 78 | 75 |
| 2  | 96 87 79 73     | 92 84 77 72     | 80 74 69    | 75 71 67    | 71 68 64 | 62 |
| 3  | 87 76 67 60     | 84 73 65 59     | 70 63 57    | 66 60 55    | 63 58 54 | 51 |
| 4  | 79 67 57 50     | 76 65 56 50     | 61 54 48    | 58 52 47    | 55 50 46 | 43 |
| 5  | 73 59 50 43     | 70 58 49 42     | 55 47 41    | 52 46 40    | 50 44 39 | 37 |
| 6  | 67 53 44 37     | 65 52 43 37     | 49 42 36    | 47 40 35    | 45 39 34 | 32 |
| 7  | 62 48 39 33     | 60 47 38 32     | 45 37 32    | 43 36 31    | 41 35 30 | 28 |
| 8  | 58 44 35 29     | 56 43 35 29     | 41 34 28    | 39 33 28    | 38 32 27 | 25 |
| 9  | 54 40 32 26     | 52 39 31 26     | 38 30 25    | 36 30 25    | 35 29 24 | 22 |
| 10 | 50 37 29 24     | 49 36 28 23     | 35 28 23    | 33 27 23    | 32 26 22 | 20 |



**WARRANTY:** The Light Edge, Inc. warrants the VRAP™ LED board and Drivers for 5 years and that the housing will be free from defects in material and workmanship for 15 years from date of purchase. Refer to website for full warranty information.