



The Light Edge, Inc.
energy efficient lighting of unsurpassed quality

WET LOCATION LED LUMINAIRE
FEATURES & SPECIFICATIONS



A small profile enclosed and gasketed wet location commercial /industrial LED luminaire designed for maximum performance with minimum energy use. The VMON1™ is ready to install right out of the box . This product offers outstanding savings on installation and maintenance labor cost. **UL/CUL Wet Location Listed. IP65/67. NEMA 4x. NSF Certified. RoHS compliant. MADE IN USA.**

Housing

One-piece, 1500 PSI resistant, compression-molded unsaturated polyester/fiberglass housing with (8) three-piece polycarbonate latches. Seamless continuously bonded poured-in-place neoprene gasket. Power Supply gear tray/LED heatsink snaps into fixture body and captures all wiring within organized containment. 1/2" hole in each end of housing with weather tight plugs.

Electrical

Each nominal 12" circuit board contains 24 Low Power, High Efficiency (114 lumen/Watt), 85 CRI LEDs arranged in parallel rows for uniformity of distribution and bi-level control via two switch legs. Loss of one LED does not affect any others. Power Supply is 120-277V multivolt input, 18V output electronic HPF, <3% THD, UL/CUL Class II listed. Input watts per nominal 4' fixture = 43W. L70 = >100,000 hrs.

Optics

Impact-modified etched DIRA acrylic linear ribbed lens with smooth exterior face for ease of cleaning. Clear lens option available. Nominal 10% uplight.

Mounting

Fixture provided with a pair Quick Clip™ snap-on stainless steel mounting clips that will accept chain or 1/4" threaded rod as well as allow surface mounting without violating watertight integrity.

Shipping

Shipped assembled & fully tested in Protective Job Pack.

CATALOG NUMBER LOGIC:

FIXTURE MODEL	FIXTURE LENGTH	LAMP WATTS	LAMP COLOR TEMP.	BALLAST	OPTIONS
---------------	----------------	------------	------------------	---------	---------

BALLAST AND OPTIONS DESCRIPTIONS:

MODEL:
VMON1 = VMONSOON™ LED PROFILE

LENGTH:
4 = 4 FEET NOMINAL

LAMP WATTAGE:
43 = 4' (NOM.) 24 LEDs per 12"

COLOR TEMPERATURE (LAMP):
40 = 4000K (STANDARD)
(Consult factory for other color temperatures)

POWER SUPPLY:
MV = MULTI-VOLTAGE (120V to 277V, 50/60 Hz)

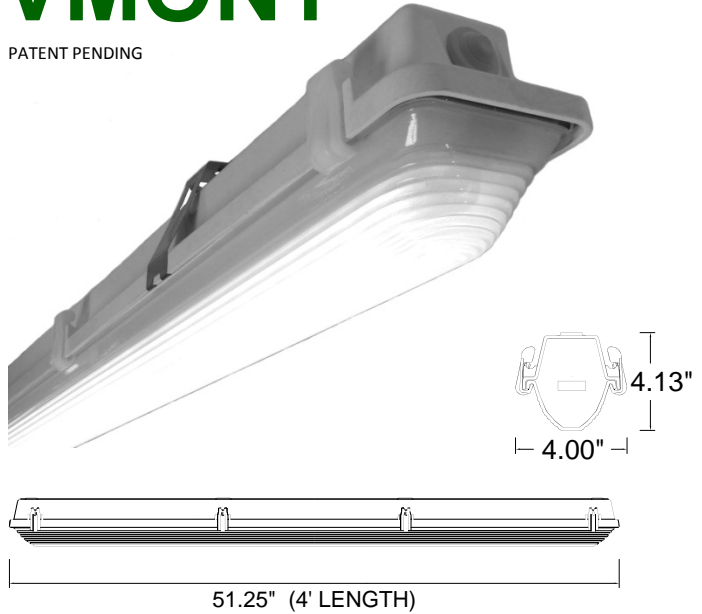
MOUNTING:
* SPECIFY LENGTH OF DROP IN FEET
ACC* = Aircraft cable suspension kit with bolt-on gripper (fits mtg. clips)
ACP* = Powered aircraft cable kit, one circuit, bolt-on gripper (fits mtg. clips)
ACPB* = Powered aircraft cable kit, two circuits, bolt-on gripper (fits mtg. clips)
SC = Safety Cable, adjustable Gripper #2, 10' length

OPTIONS:
*SPECIFY LENGTH OF DROP IN FEET
LP = CLEAR POLYCARBONATE LENS
LA = CLEAR DIRA ACRILIC LENS
CS* = CORDSET, 16/3, BLACK INSTALLED (INCLUDES WATERTIGHT FITTING)
CT* = CORDSET, 16/4, BLACK INSTALLED (INCLUDES WATERTIGHT FITTING)
OS = OCCUPANCY SENSOR, FIXTURE MOUNTED (SPECIFY DISTRIBUTION)
PC = PHOTOCCELL, FIXTURE MOUNTED (SHIPS INSTALLED)
HS4 = STAINLESS STEEL LATCH SET, 4' MODEL (SET OF 8 EACH)
X3 = 347V STEP-DOWN TRANSFORMER (SHIPS INSTALLED)
X4 = 480V STEP-DOWN TRANSFORMER (SHIPS INSTALLED)

Project	
Fixture Type	
Catalog #	
Distrib/Cont	
Date:	Prepared By:

VMONSOON™ Series
VMON1™

PATENT PENDING



Dimensions
4.0"W x 4.13"H

Weight : 4 lbs. 2 oz.

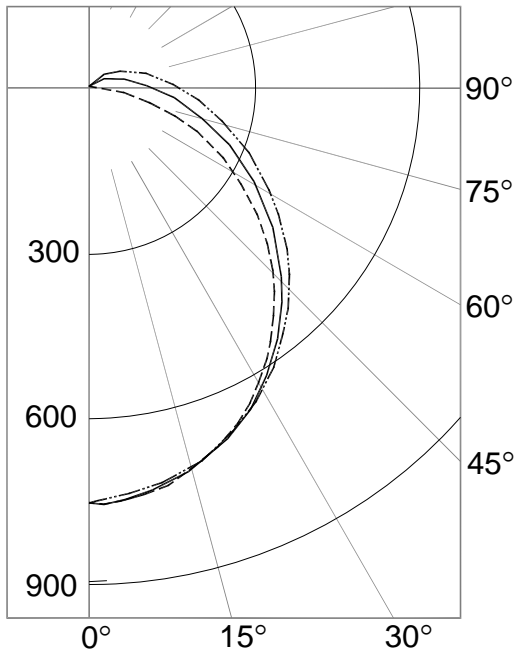
Lumen Output
Clear lens 3058 lumens
Etched Lens 2486 lumens

VMONSOON™ Series
VMON1™

PHOTOMETRIC TEST REPORT:

REPORT NUMBER: ITL72002
CATALOG NO.: VMON-4-43-40-MV-XX
TOTAL INPUT WATTS: 43.1
FIXTURE LUMEN OUTPUT: WITH CLEAR LENS - 3058 LUMENS
WITH ETCHED LENS - 2486 LUMENS

DISTRIBUTION CURVE



LEGEND 0-deg: - - - - -
45-deg: _____
90-deg:

CANDELA DISTRIBUTION

	0.0	22.5	45.0	67.5	90.0
0	752	752	752	752	752
5	748	748	746	739	739
15	716	715	716	712	712
25	655	657	661	661	662
35	570	573	582	590	592
45	467	474	490	415	509
55	355	368	391	323	420
65	235	257	293	242	330
75	120	158	207	174	251
85	24	80	136	145	185
90	4	53	110	118	158
95	2	33	88	81	134
105	1	14	54	53	94
115	0	2	32	31	64
125	0	0	14	10	40
135	0	0	0	0	18
145	0	0	0	0	0
155	0	0	0	0	0

LUMINANCE DATA (CD/SQ. M)

	0-DEG	45-DEG	90-DEG
45	6487	5939	5607
55	6007	5291	4951
65	5293	4514	4249
75	4232	3731	3610
85	2095	2949	3051

ZONAL LUMEN SUMMARY (@ 2486 LUMENS)

ZONE	LUM.	%FIXT
0 - 30	576	23.2
0 - 40	940	37.8
0 - 60	1667	67.0
0 - 90	2300	92.5
90 - 120	167	6.7
90 - 130	182	7.3
90 - 150	186	7.5
90 - 180	186	7.5
0 - 180	2486	100



COEFFICIENTS OF UTILIZATION ZONAL CAVITY METHOD

RF	20	20	20	20	20	20
RC	80	70	50	30	10	0
RW	70 50 30 10	70 50 30 10	50 30 10	50 30 10	50 30 10	0
0	117 117 117 117	114 114 114 114	107 107 107	101 101 101	95 95 95	93
1	105 100 95 90	102 97 92 88	91 87 84	86 83 80	81 79 76	74
2	95 86 79 72	92 84 77 71	79 73 68	74 70 65	70 66 63	60
3	86 75 67 60	83 73 65 59	69 62 57	65 59 55	62 57 53	50
4	79 66 57 50	76 65 56 49	61 54 48	58 52 47	55 50 45	43
5	73 59 50 43	70 58 49 42	55 47 41	52 45 40	49 44 39	37
6	67 53 44 37	65 52 43 37	49 42 36	47 40 35	45 39 34	32
7	62 48 39 33	60 47 39 33	45 37 32	43 36 31	41 35 30	28
8	58 44 35 29	56 43 35 29	41 34 28	39 33 28	37 32 27	25
9	54 40 32 26	52 39 32 26	38 31 26	36 30 25	35 29 25	23
10	51 37 29 24	49 36 29 24	35 28 23	33 27 23	32 26 22	20

WARRANTY: The Light Edge, Inc. warrants the VMON™ LED board and Drivers for 5 years and that the housing will be free from defects in material and workmanship for 2 years from date of purchase. Refer to website for full warranty information.