



FEATURES & SPECIFICATIONS

A small profile T5 HO fluorescent commercial/industrial luminaire robustly designed for maximum performance with minimum energy use in highbay application. With near tool-less design the RAPTOR™ is ready to install right out of the box – even the lamps come pre-installed. Multi-volt ballasts take the guesswork out of what to stock. Rated at 93 L/W (54 watt lamp), this product offers outstanding savings on installation and maintenance labor costs. **UL/CUL Damp Location Listed. MADE IN USA.**

Housing

Three-piece extruded aluminum housing with integral ballast heat-sink. Reflectors easily removed for access to ballast/wiring compartment. 16 gauge aluminum endplates with 1/2" wiring hole. Clear anodized standard finish – Anodized colors available.

Electrical

Ballasts are CBM certified HPF electronic programmed start, 0.99 power factor, <10% THD, UL/CSA listed, Type 1 Class P. Lamp holders are positive-lock, captive rotor type.

Optics

95% reflective specular hard-anodized aluminum roll-formed engineered T5 reflector. Optional 0.125" clear acrylic or polycarbonate lens in captive, hinged/latched anodized aluminum door frame. Optional dedicated uplight lamp with identical reflector attributes and snap-on linear-prismed acrylic lens.

Mounting

Fixture provided with Quick Clip™ stainless steel snap-on mounting brackets that accept #12 S-hook & chain or 1/4" threaded rod. Other mounting options available.

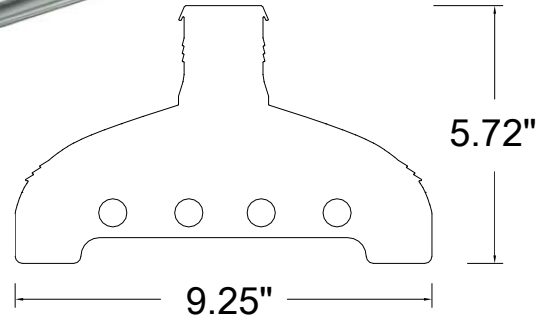
Shipping

Shipped assembled & fully tested in Protective Job Pack.

Project	
Fixture Type	
Catalog #	
Distrib/Cont	
Date:	Prepared By:

RAPTOR™ Series RAP4™

PATENT PENDING



Dimensions

9.25"W x 5.72"H x 47.75"L

Weight : 11 lbs. 2 oz.

CATALOG NUMBER LOGIC:

--

FIXTURE -- FIXTURE -- LAMP -- LAMP COLOR -- BALLAST -- OPTIONS
MODEL LENGTH WATTS TEMP.

BALLAST AND OPTIONS DESCRIPTIONS:

<p>MODEL: RAP4 = RAPTOR™ 4 LAMP PROFILE</p> <p>LENGTH: 4 = 4 FEET NOMINAL (4 LAMP TOTAL) 8 = 8 FEET NOMINAL (8 LAMP TOTAL – Field assembly required)</p> <p>LAMP WATTAGE: 54 = 4' & 8' (NOM.) 54W HO (5000 LUMENS) 28 = 4' & 8' (NOM.) 28W HE (2900 LUMENS)</p> <p>COLOR TEMPERATURE (LAMP): 30 = 3000 K XX = NO LAMPS 35 = 3500 K 41 = 4100 K 50 = 5000 K 65 = 6500 K</p>	<p>BALLAST: MV = MULTI-VOLTAGE (120V to 277V, 50/60 Hz) D3 = DEDICATED 347V D4 = DEDICATED 480V DM = DIMMING BALLAST (Specify manufacturer & model)</p> <p>MOUNTING: * SPECIFY LENGTH OF DROP IN FEET ACC* = Aircraft cable suspension kit with bolt-on gripper (fits mtg. clips) ACP* = Powered aircraft cable kit, one circuit, bolt-on gripper (fits mtg. clips) ACPB* = Powered aircraft cable kit, two circuits, bolt-on gripper (fits mtg. clips) ACYE = Upside-down "Y" cable set with eyelet ends HD = Heavy Duty RAPTOR™ mounting brackets for surface mounting HT = RAPTOR™ 1/2/3/4 end plate Hanging tabs PFS1/3 = Power feed stem kit with 3/4"NPT (PFS3) or 1/2"NPT (PFS1) coupling PFH = Power feed hook kit WBADJ = RAPTOR™ Adjustable wall bracket mount SC = Safety Cable, adjustable Gripper #2, 10' length</p>	<p>OPTIONS: * SPECIFY LENGTH OF DROP IN FEET LP = POLYCARBONATE LENS IN ALUMINUM DOOR FRAME LA = ACRYLIC LENS IN ALUMINUM DOOR FRAME TGL = TEMPERED GLASS LENS IN ALUMINUM DOOR FRAME WGK = WIREGUARD KIT IN ALUMINUM DOOR FRAME WGP = WIREGUARD & POLYCARBONATE LENS WGA = WIREGUARD & ACRYLIC LENS CS* = CORDSET, 16/3, BLACK INSTALLED CT* = CORDSET, 16/4, BLACK INSTALLED FW* = FLEX WHIP, 3/8" 18/3 FILL, 1/2" FITTING UP = DEDICATED UPLIGHT LAMP IN LENSED COMPARTMENT OS = OCCUPANCY SENSOR, FIXTURE MOUNTED (SPECIFY DISTRIBUTION) PC = PHOTOCELL, FIXTURE MOUNTED (SHIPS INSTALLED) SW = SPLIT-WIRED LAMPING FOR MULTI-LEVEL CONTROL (SPECIFY CONFIGURATION) GLR = GLR IN-LINE FUSING - INSTALLED (SPECIFY VOLTAGE AND AMPERATE) EM = EMERGENCY BATTERY BALLAST</p>
--	---	---



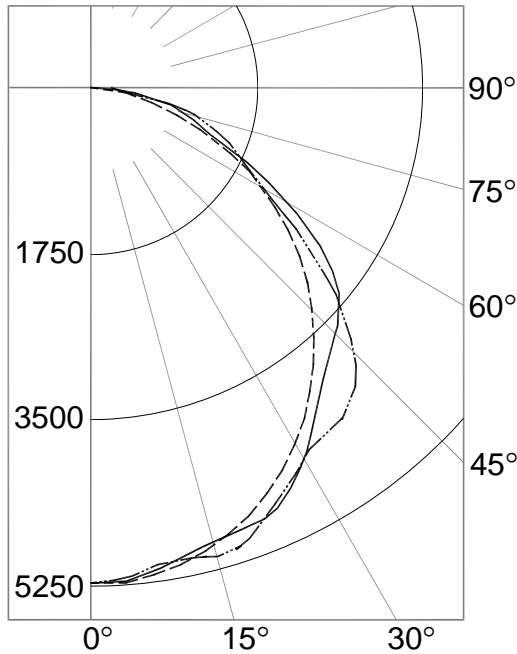
RAPTOR™ Series

RAP4™

PHOTOMETRIC TEST REPORT:

REPORT NUMBER: ITL52937
CATALOG NO.: RAP4-4-54-35-MV-XX
TOTAL INPUT WATTS: 220.0
FIXTURE EFFICIENCY: AT 5000 LUMENS – 75.2%
AT 4450 LUMENS – 80.9%

DISTRIBUTION CURVE



LEGEND 0-deg: - - - - -
45-deg: _____
90-deg: - · - · - ·

CANDELA DISTRIBUTION

	0.0	22.5	45.0	67.5	90.0
0	5213	5213	5213	5213	5213
5	5206	5204	5183	5152	5147
15	4989	4967	4963	5051	5108
25	4584	4582	4797	4756	4732
35	4003	4153	4156	4295	4407
45	3291	3497	3649	3935	3936
55	2488	2637	2985	2806	2681
65	1616	1935	1740	1707	1751
75	767	921	987	1121	1136
85	88	238	223	242	197
90	0	9	4	3	0

LUMINANCE DATA (CD/SQ. M)

	0-DEG	45-DEG	90-DEG
45	16846	18635	20147
55	15703	18855	16921
65	13841	14903	14998
75	10726	13753	15886
85	3656	9045	8183

ZONAL LUMEN SUMMARY (@ 5000 LUMENS PER LAMP)

ZONE	LUM.	%LAMP	%FIXT
0 - 30	4073	20.4	27.1
0 - 40	6711	33.6	44.6
0 - 60	11997	60.0	79.6
0 - 90	15048	75.2	100.0
90 - 180	0.0	0.0	0.0
0 - 180	15048	75.2	100.0



COEFFICIENTS OF UTILIZATION ZONAL CAVITY METHOD

RF	20	20	20	20	20	20
RC	80	70	50	30	10	0
RW	70 50 30 10	70 50 30 10	50 30 10	50 30 10	50 30 10	0
0	90 90 90 90	87 87 87 87	84 84 84	80 80 80	77 77 77	75
1	82 78 75 72	80 77 74 71	73 71 69	70 68 67	68 66 65	63
2	74 68 63 59	72 67 62 58	64 60 57	62 58 55	59 57 54	53
3	68 60 54 49	66 59 53 48	56 52 48	54 50 47	52 49 46	44
4	62 53 46 41	60 52 46 41	50 45 40	48 44 40	47 43 39	38
5	57 47 41 36	55 46 40 35	45 39 35	43 38 35	42 38 34	33
6	53 43 36 31	51 42 35 31	41 35 31	39 34 30	38 34 30	28
7	49 39 32 27	47 38 32 27	37 31 27	36 31 27	35 30 27	25
8	45 35 29 24	44 35 29 24	34 28 24	33 28 24	32 27 24	22
9	42 32 26 22	41 32 26 22	31 25 22	30 25 22	29 25 21	20
10	40 30 24 20	39 29 24 20	29 23 20	28 23 20	27 23 19	18

WARRANTY: The Light Edge, Inc. warrants the RAPTOR™ to be free from defects in material and workmanship for 15 years from date of purchase, exclusive of lamps, ballasts, and optional electrical devices. Refer to website for complete warranty information.