



## FEATURES & SPECIFICATIONS

A small profile T5 HO fluorescent commercial/industrial luminaire robustly designed for maximum performance with minimum energy use in a broad range of applications, from task lighting to HID highbay replacement. With near tool-less design the RAPTOR™ is ready to install right out of the box – even the lamps come pre-installed. Multi-volt ballasts take the guesswork out of what to stock. Rated at 93 L/W (54 watt lamp), this product offers outstanding savings on installation and maintenance labor costs. **UL/CUL Damp Location Listed. MADE IN USA.**

### Housing

Three-piece extruded aluminum housing with integral ballast heat-sink. Reflectors easily removed for access to ballast/wiring compartment. 16 gauge aluminum endplates with 1/2" wiring hole. Clear anodized standard finish – Anodized colors available.

### Electrical

Ballasts are CBM certified HPF electronic programmed start, 0.99 power factor, <10% THD, UL/CSA listed, Type 1 Class P. Lamp holders are positive-lock, captive rotor type.

### Optics

95% reflective specular hard-anodized aluminum roll-formed engineered T5 reflector. Optional 0.125" clear acrylic or polycarbonate lens in captive, hinged/latched anodized aluminum door frame. Optional dedicated uplight lamp with identical reflector attributes and snap-on linear-prism acrylic lens.

### Mounting

Fixture provided with Quick Clip™ stainless steel snap-on mounting brackets that accept #12 S-hook & chain or 1/4" threaded rod. Other mounting options available.

### Shipping

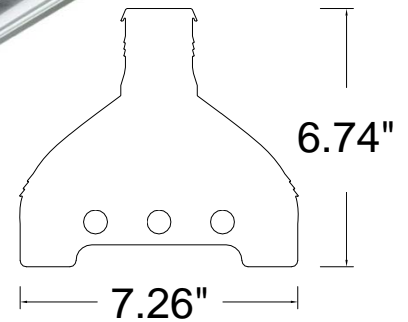
Shipped assembled & fully tested in Protective Job Pack.

<b>Project</b>	
<b>Fixture Type</b>	
<b>Catalog #</b>	
<b>Distrib/Cont</b>	
<b>Date:</b>	<b>Prepared By:</b>

# RAPTOR™ Series

## RAP3™

PATENT PENDING



### Dimensions

7.26" W x 6.74" H x 47.75" L

Weight : 10 lbs. 8 oz.

## CATALOG NUMBER LOGIC:

--

FIXTURE MODEL	--	FIXTURE LENGTH	--	LAMP WATTS	--	LAMP COLOR TEMP.	--	BALLAST	--	OPTIONS
---------------	----	----------------	----	------------	----	------------------	----	---------	----	---------

### BALLAST AND OPTIONS DESCRIPTIONS:

#### MODEL:

RAP3 = RAPTOR™ 3 LAMP PROFILE

#### LENGTH:

4 = 4 FEET NOMINAL (3 LAMP TOTAL)  
8 = 8 FEET NOMINAL (6 LAMP TOTAL – Field assembly required)

#### LAMP WATTAGE:

54 = 4' & 8' (NOM.) 54W HO (5000 LUMENS)  
28 = 4' & 8' (NOM.) 28W HE (2900 LUMENS)

#### COLOR TEMPERATURE (LAMP):

30 = 3000 K XX = NO LAMPS  
35 = 3500 K  
41 = 4100 K  
50 = 5000 K  
65 = 6500 K

#### BALLAST:

MV = MULTI-VOLTAGE (120V to 277V, 50/60 Hz)  
D3 = DEDICATED 347V  
D4 = DEDICATED 480V  
DM = DIMMING BALLAST (Specify manufacturer & model)

#### MOUNTING:

\* SPECIFY LENGTH OF DROP IN FEET  
ACC\* = Aircraft cable suspension kit with bolt-on gripper (fits mtg. clips)  
ACP\* = Powered aircraft cable kit, one circuit, bolt-on gripper (fits mtg. clips)  
ACPB\* = Powered aircraft cable kit, two circuits, bolt-on gripper (fits mtg. clips)  
ACYE = Upside-down "Y" cable set with eyelet ends  
HD = Heavy Duty RAPTOR™ mounting brackets for surface mounting  
HT = RAPTOR™ 1/2/3/4 end plate Hanging tabs  
PFS1/3 = Power feed stem kit with 3/4"NPT (PFS3) or 1/2"NPT (PFS1) coupling  
PFH = Power feed hook kit  
WBADJ = RAPTOR™ Adjustable wall bracket mount  
SC = Safety Cable, adjustable Gripple #2, 10' length

#### OPTIONS:

##### \* SPECIFY LENGTH OF DROP IN FEET

LP = POLYCARBONATE LENS IN ALUMINUM DOOR FRAME  
LA = ACRYLIC LENS IN ALUMINUM DOOR FRAME  
TGL = TEMPERED GLASS LENS IN ALUMINUM DOOR FRAME  
WGK = WIREGUARD KIT IN ALUMINUM DOOR FRAME  
WGP = WIREGUARD & POLYCARBONATE LENS  
WGA = WIREGUARD & ACRYLIC LENS  
CS\* = CORDSET, 16/3, BLACK INSTALLED  
CT\* = CORDSET, 16/4, BLACK INSTALLED  
FW\* = FLEX WHIP, 3/8" 18/3 FILL, 1/2" FITTING  
UP = DEDICATED UPLIGHT LAMP IN LENSED COMPARTMENT  
OS = OCCUPANCY SENSOR, FIXTURE MOUNTED (SPECIFY DISTRIBUTION)  
PC = PHOTOCCELL, FIXTURE MOUNTED (SHIPS INSTALLED)  
SW = SPLIT-WIRED LAMPING FOR MULTI-LEVEL CONTROL (SPECIFY CONFIGURATION)  
GLR = GLR IN-LINE FUSING - INSTALLED (SPECIFY VOLTAGE AND AMPERATE)  
EM = EMERGENCY BATTERY BALLAST



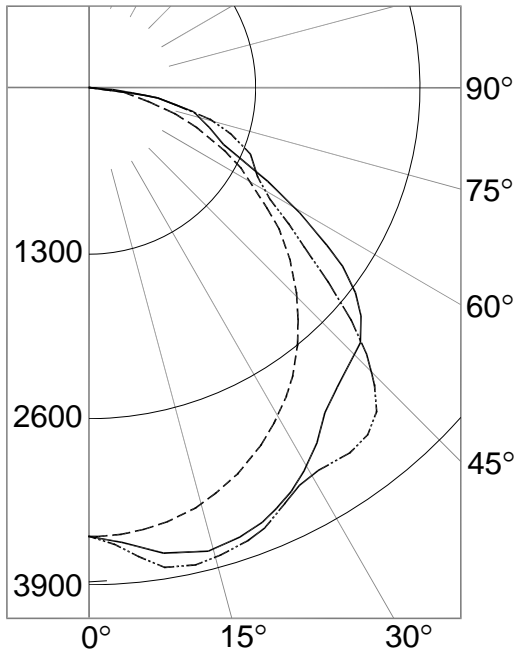
# RAPTOR™ Series

## RAP3™

### PHOTOMETRIC TEST REPORT:

REPORT NUMBER: ITL52936  
 CATALOG NO.: RAP3-4-54-41-MV-XX  
 TOTAL INPUT WATTS: 170.6  
 FIXTURE EFFICIENCY: AT 5000 LUMENS – 77.8%  
 AT 4450 LUMENS – 83.7%

#### DISTRIBUTION CURVE



LEGEND 0-deg: - - - - -  
 45-deg: \_\_\_\_\_  
 90-deg: - · - · - · -

#### CANDELA DISTRIBUTION

	0.0	22.5	45.0	67.5	90.0
0	3521	3521	3521	3521	3521
5	3508	3540	3598	3648	3658
15	3385	3583	3753	3801	3816
25	3141	3478	3591	3612	3613
35	2779	3156	3214	3418	3531
45	2311	2685	2964	3184	3159
55	1767	2093	2437	2066	1954
65	1179	1633	1300	1368	1430
75	579	704	900	1000	998
85	98	251	224	196	190
90	0	0	0	0	0

#### LUMINANCE DATA (CD/SQ. M)

	0-DEG	45-DEG	90-DEG
45	15191	19483	20765
55	14319	19748	15834
65	12967	14297	15727
75	10398	16163	17923
85	5226	11946	10133

#### ZONAL LUMEN SUMMARY (@ 5000 LUMENS PER LAMP)

ZONE	LUM.	%LAMP	%FIXT
0 - 30	3008	20.1	25.8
0 - 40	5037	33.6	43.1
0 - 60	9152	61.0	78.4
0 - 90	11676	77.8	100.0
90 - 180	0.0	0.0	0.0
0 - 180	11676	77.8	100.0



#### COEFFICIENTS OF UTILIZATION ZONAL CAVITY METHOD

RF	20	20	20	20	20	20
RC	80	70	50	30	10	0
RW	70 50 30 10	70 50 30 10	50 30 10	50 30 10	50 30 10	0
0	93 93 93 93	91 91 91 91	86 86 86	83 83 83	79 79 79	78
1	84 81 77 74	82 79 76 73	76 73 71	72 70 68	70 68 66	65
2	77 70 65 60	75 69 64 59	66 62 58	63 60 57	61 58 55	54
3	70 61 55 50	68 60 54 49	58 53 48	56 51 48	54 50 47	45
4	64 54 47 42	62 53 47 42	51 46 41	49 44 40	48 43 40	38
5	59 48 41 36	57 47 41 36	46 40 35	44 39 35	43 38 35	33
6	54 43 36 31	52 43 36 31	41 35 31	40 35 31	39 34 30	29
7	50 39 32 28	49 39 32 27	37 32 27	36 31 27	35 30 27	25
8	46 36 29 24	45 35 29 24	34 28 24	33 28 24	32 27 24	22
9	43 33 26 22	42 32 26 22	31 26 22	31 25 22	30 25 21	20
10	41 30 24 20	40 30 24 20	29 23 20	28 23 20	28 23 19	18

**WARRANTY:** The Light Edge, Inc. warrants the RAPTOR™ to be free from defects in material and workmanship for 15 years from date of purchase, exclusive of lamps, ballasts, and optional electrical devices. Refer to website for complete warranty information.