



FEATURES & SPECIFICATIONS

A small profile T5 HO fluorescent commercial/industrial luminaire robustly designed for maximum performance with minimum energy use in a broad range of applications, from task lighting to HID lowbay replacement. With near tool-less design the RAPTOR™ is ready to install right out of the box – even the lamps come pre-installed. Multi-volt ballasts take the guesswork out of what to stock. Rated at 93 L/W (54 watt lamp), this product offers outstanding savings on installation and maintenance labor costs. **UL/CUL Damp Location Listed. MADE IN USA.**

Housing

Three-piece extruded aluminum housing with integral ballast heat-sink. Reflectors easily removed for access to ballast/wiring compartment. 16 gauge aluminum endplates with 1/2" wiring hole. Clear anodized standard finish – Anodized colors available.

Electrical

Ballasts are CBM certified HPF electronic programmed start, 0.99 power factor, <10% THD, UL/CSA listed, Type 1 Class P. Lamp holders are positive-lock, captive rotor type.

Optics

95% reflective specular hard-anodized aluminum roll-formed engineered T5 reflector. Optional 0.125" clear acrylic or polycarbonate lens in captive, hinged/latched anodized aluminum door frame. Optional dedicated uplight lamp with identical reflector attributes and snap-on linear-prism acrylic lens.

Mounting

Fixture provided with Quick Clip™ stainless steel snap-on mounting brackets that accept #12 S-hook & chain or 1/4" threaded rod. Other mounting options available.

Shipping

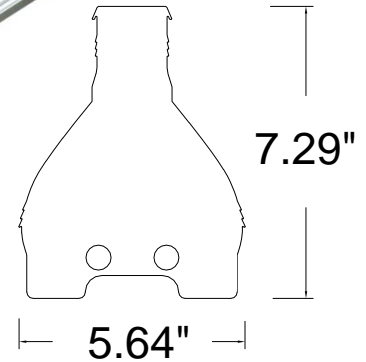
Shipped assembled & fully tested in Protective Job Pack.

Project	
Fixture Type	
Catalog #	
Distrib/Cont	
Date:	Prepared By:

RAPTOR™ Series

RAP2™

PATENT PENDING



Dimensions

5.64"W x 7.29"H x 47.75"L

Weight : 9 lbs. 14 oz.

CATALOG NUMBER LOGIC:

--

FIXTURE MODEL	--	FIXTURE LENGTH	--	LAMP WATTS	--	LAMP COLOR TEMP.	--	BALLAST	--	OPTIONS
---------------	----	----------------	----	------------	----	------------------	----	---------	----	---------

BALLAST AND OPTIONS DESCRIPTIONS:

MODEL:

RAP2 = RAPTOR™ 2 LAMP PROFILE

LENGTH:

4 = 4 FEET NOMINAL (2 LAMP TOTAL)
8 = 8 FEET NOMINAL (4 LAMP TOTAL – Field assembly required)

LAMP WATTAGE:

54 = 4' & 8' (NOM.) 54W HO (5000 LUMENS)
28 = 4' & 8' (NOM.) 28W HE (2900 LUMENS)

COLOR TEMPERATURE (LAMP):

30 = 3000 K XX = NO LAMPS
35 = 3500 K
41 = 4100 K
50 = 5000 K
65 = 6500 K

BALLAST:

MV = MULTI-VOLTAGE (120V to 277V, 50/60 Hz)
D3 = DEDICATED 347V
D4 = DEDICATED 480V
DM = DIMMING BALLAST (Specify manufacturer & model)

MOUNTING:

*** SPECIFY LENGTH OF DROP IN FEET**
ACC* = Aircraft cable suspension kit with bolt-on gripper (fits mtg. clips)
ACP* = Powered aircraft cable kit, one circuit, bolt-on gripper (fits mtg. clips)
ACPB* = Powered aircraft cable kit, two circuits, bolt-on gripper (fits mtg. clips)
ACYE = Upside-down "Y" cable set with eyelet ends
HD = Heavy Duty RAPTOR™ mounting brackets for surface mounting
HT = RAPTOR™ 1/2/3/4 end plate Hanging tabs
PFS1/3 = Power feed stem kit with 3/4"NPT (PFS3) or 1/2"NPT (PFS1) coupling
PFH = Power feed hook kit
WBADJ = RAPTOR™ Adjustable wall bracket mount
SC = Safety Cable, adjustable Gripple #2, 10' length

OPTIONS:

* SPECIFY LENGTH OF DROP IN FEET

LP = POLYCARBONATE LENS IN ALUMINUM DOOR FRAME
LA = ACRYLIC LENS IN ALUMINUM DOOR FRAME
TGL = TEMPERED GLASS LENS IN ALUMINUM DOOR FRAME
WGK = WIREGUARD KIT IN ALUMINUM DOOR FRAME
WGP = WIREGUARD & POLYCARBONATE LENS
WGA = WIREGUARD & ACRYLIC LENS
CS* = CORDSET, 16/3, BLACK INSTALLED
CT* = CORDSET, 16/4, BLACK INSTALLED
FW* = FLEX WHIP, 3/8" 18/3 FILL, 1/2" FITTING
UP = DEDICATED UPLIGHT LAMP IN LENSED COMPARTMENT
OS = OCCUPANCY SENSOR, FIXTURE MOUNTED (SPECIFY DISTRIBUTION)
PC = PHOTOCCELL, FIXTURE MOUNTED (SHIPS INSTALLED)
GLR = GLR IN-LINE FUSING - INSTALLED (SPECIFY VOLTAGE AND AMPERATE)
EM = EMERGENCY BATTERY BALLAST
EMT = EMERGENCY BATTERY BALLAST, SELF-TESTING



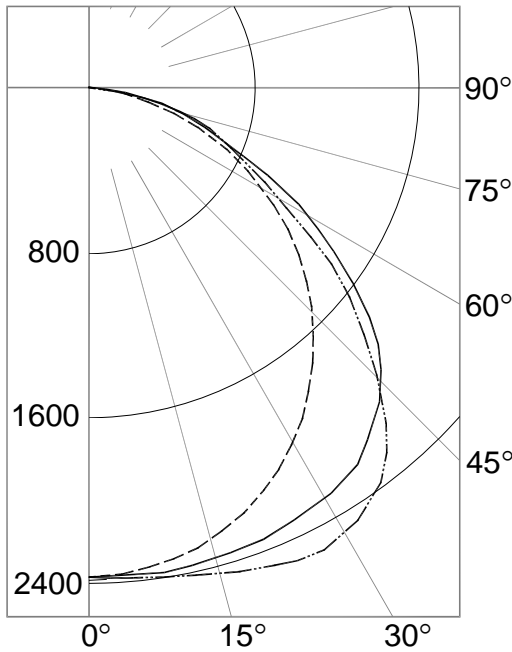
RAPTOR™ Series

RAP2™

PHOTOMETRIC TEST REPORT:

REPORT NUMBER: ITL52935
 CATALOG NO.: RAP2-4-54-41-MV-XX
 TOTAL INPUT WATTS: 112.0
 FIXTURE EFFICIENCY: AT 5000 LUMENS – 76.1%
 AT 4450 LUMENS – 81.8%

DISTRIBUTION CURVE



LEGEND 0-deg: - - - - -
 45-deg: _____
 90-deg: - · - · - · -

CANDELA DISTRIBUTION

	0.0	22.5	45.0	67.5	90.0
0	2362	2362	2362	2362	2362
5	2345	2351	2356	2366	2370
15	2264	2300	2350	2405	2429
25	2102	2178	2322	2452	2503
35	1862	2006	2253	2383	2419
45	1554	1766	2023	2037	1999
55	1195	1478	1538	1464	1418
65	803	1075	935	868	863
75	405	506	489	503	500
85	67	112	44	30	30
90	0	0	0	0	0

LUMINANCE DATA (CD/SQ. M)

	0-DEG	45-DEG	90-DEG
45	14299	18614	18393
55	13555	17446	16085
65	12362	14395	13286
75	10181	12293	12569
85	5002	3285	2240

ZONAL LUMEN SUMMARY (@ 5000 LUMENS PER LAMP)

ZONE	LUM.	%LAMP	%FIXT
0 - 30	1959	19.6	25.8
0 - 40	3332	33.3	43.8
0 - 60	6089	60.9	80.0
0 - 90	7607	76.1	100.0
90 - 180	0.0	0.0	0.0
0 - 180	7607	76.1	100.0



ARRA
Funding Compliant

COEFFICIENTS OF UTILIZATION ZONAL CAVITY METHOD

RF	20	20	20	20	20	20
RC	80	70	50	30	10	0
RW	70 50 30 10	70 50 30 10	50 30 10	50 30 10	50 30 10	0
0	91 91 91 91	88 88 88 88	85 85 85	81 81 81	78 78 78	76
1	83 79 76 73	81 78 75 72	74 72 70	71 69 68	69 67 66	64
2	75 69 64 60	73 68 63 59	65 61 57	62 59 56	60 57 55	53
3	69 60 54 49	67 59 54 49	57 52 48	55 51 47	53 49 46	45
4	63 53 47 42	61 52 46 41	51 45 41	49 44 40	47 43 40	38
5	58 48 41 36	56 47 40 35	45 39 35	44 39 35	42 38 34	33
6	53 43 36 31	52 42 36 31	41 35 31	39 34 30	38 34 30	28
7	49 39 32 27	48 38 32 27	37 31 27	36 31 27	35 30 26	25
8	46 35 29 24	44 35 28 24	34 28 24	33 28 24	32 27 24	22
9	43 32 26 22	41 32 26 22	31 25 21	30 25 21	29 25 21	20
10	40 30 24 19	39 29 23 19	28 23 19	28 23 19	27 22 19	18

WARRANTY: The Light Edge, Inc. warrants the RAPTOR™ to be free from defects in material and workmanship for 15 years from date of purchase, exclusive of lamps, ballasts, and optional electrical devices. Refer to website for complete warranty information.