



**WET LOCATION LUMINAIRE  
FEATURES & SPECIFICATIONS**

IP65/67

A small profile enclosed and gasketed wet location T5 HO fluorescent commercial/industrial luminaire designed for maximum performance with minimum energy use. With near tool-less design the MONSOON™ is ready to install right out of the box – even the lamps come pre-installed. Multi-volt ballasts take the guesswork out of what to stock. Rated at 93 L/W (54 watt lamp).

**UL/CUL Listed. NSF Certified. IP65/67 wet location rated. MADE IN USA.**

**Housing**

One-piece compression-molded unsaturated polyester/fiberglass housing with (8) three-piece polycarbonate latches. Seamless continuously bonded poured-in-place neoprene gasketing. Ballast/component tray attaches to fixture body with pinch-release clips. 1/2" conduit entry hole in each end of housing with weather tight plugs.

**Electrical**

Ballasts are CBM certified HPF electronic programmed start, 0.99 power factor, <10% THD, UL/CSA listed, Type 1 Class P. Lamp holders are positive-lock, captive rotor type.

**Optics**

High reflectance component tray reflector. Impact-modified DIRA acrylic linear ribbed lens with smooth exterior face for ease of cleaning. Nominal 10% uplight component.

**Mounting**

Fixture provided with a pair Quick Clip™ stainless steel snap-on mounting brackets that accept #12 S-hook & chain or 1/4" threaded rod as well as allow surface mounting without violating watertight integrity. Other mounting options available.

**Shipping**

Shipped assembled & fully tested in Protective Job Pack.

**CATALOG NUMBER LOGIC:**

FIXTURE MODEL	FIXTURE LENGTH	LAMP WATTS	LAMP COLOR TEMP.	BALLAST	OPTIONS
---------------	----------------	------------	------------------	---------	---------

**BALLAST AND OPTIONS DESCRIPTIONS:**

**MODEL:**

MON2 = MONSOON™ 2 LAMP PROFILE

**LENGTH:**

- 2 = 2 FEET NOMINAL (2 LAMP TOTAL)
- 4 = 4 FEET NOMINAL (2 LAMP TOTAL)
- 8 = 8 FEET NOMINAL (4 LAMP TOTAL)

**LAMP WATTAGE:**

- 24 = 2' (NOM.) 24W HO (2000 LUMENS)
- 54 = 4' & 8' (NOM.) 54W HO (5000 LUMENS)
- 28 = 4' & 8' (NOM.) 28W HE (2900 LUMENS)

**COLOR TEMPERATURE (LAMP):**

- 30 = 3000 K      50 = 5000 k
- 35 = 3500 K      65 = 6500 K
- 41 = 4100 K      XX = NO LAMPS

**BALLAST:**

- MV = MULTI-VOLTAGE (120V to 277V, 50/60 Hz)
- D3 = DEDICATED 347V
- D4 = DEDICATED 480V
- DM = DIMMING BALLAST (Specify manufacturer & model)

**MOUNTING:**

**\* SPECIFY LENGTH OF DROP IN FEET**

- ACC\* = Aircraft cable suspension kit with bolt-on gripper (fits mtg. clips)
- ACP\* = Powered aircraft cable kit, one circuit, bolt-on gripper (fits mtg. clips)
- ACPB\* = Powered aircraft cable kit, two circuits, bolt-on gripper (fits mtg. clips)
- SC = Safety Cable, adjustable Gripple #2, 10' length

**OPTIONS:**

**\*SPECIFY LENGTH OF DROP IN FEET**

- LP = CLEAR POLYCARBONATE LENS
- LAE = ETCHED DIRA ACRUC LENS
- CS\* = CORDSET, 16/3, BLACK INSTALLED (INCLUDES WATERTIGHT FITTING)
- CT\* = CORDSET, 16/4, BLACK INSTALLED (INCLUDES WATERTIGHT FITTING)
- CU\* = CORDSET, 16/5, BLACK INSTALLED (INCLUDES WATERTIGHT FITTING)
- OS = OCCUPANCY SENSOR, FIXTURE MOUNTED (SPECIFY DISTRIBUTION)
- PC = PHOTOCELL, FIXTURE MOUNTED (SHIPS INSTALLED)
- GLR = GLR IN-LINE FUSING - INSTALLED (SPECIFY VOLTAGE AND AMPERATE)
- HS2 = STAINLESS STEEL LATCH SET, 2' MODEL (SET OF 4 EACH)
- HS4 = STAINLESS STEEL LATCH SET, 4' MODEL (SET OF 8 EACH)
- HS8 = STAINLESS STEEL LATCH SET, 8' MODEL (SET OF 14 EACH)
- EM = EMERGENCY BATTERY BALLAST
- EMT = EMERGENCY BATTERY BALLAST, SELF-TESTING

<b>Project</b>	
<b>Fixture Type</b>	
<b>Catalog #</b>	
<b>Distrib/Cont</b>	
<b>Date:</b>	<b>Prepared By:</b>

**MONSOON™ Series  
MON2™**

PATENT PENDING



**Dimensions**

- 2' FIXTURE: 6.77"W x 4.13"H x 27.7"L
- 4' FIXTURE: 6.77"W x 4.13"H x 51.25"L
- 8' FIXTURE: 6.77"W x 4.13"H x 100.0"L

**Weight**

- 4 lbs. 8 oz.
- 8 lbs. 10 oz.
- 17 lbs. 0 oz.

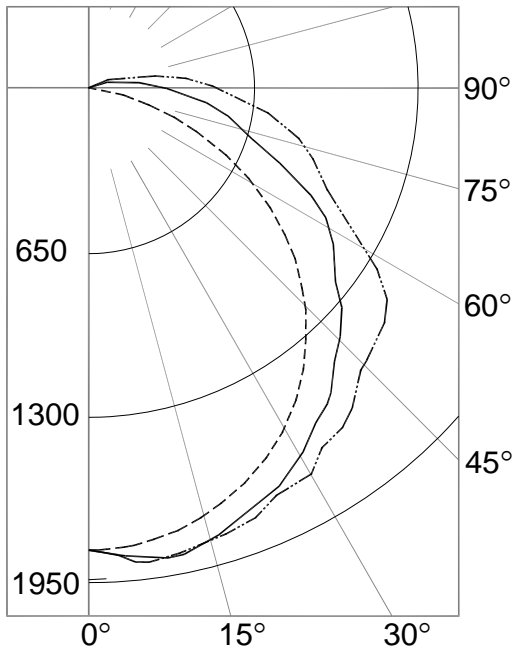


**MONSOON™ Series**  
**MON2™**

**PHOTOMETRIC TEST REPORT:**

REPORT NUMBER: ITL52090  
CATALOG NO.: MON2-4-54-35-MV-XX  
TOTAL INPUT WATTS: 107.4  
FIXTURE EFFICIENCY: AT 5000 LUMENS – 69.0%  
AT 4450 LUMENS – 74.1%

**DISTRIBUTION CURVE**



LEGEND 0-deg: - - - - -  
45-deg: \_\_\_\_\_  
90-deg: - · - · - · -

**CANDELA DISTRIBUTION**

	0.0	22.5	45.0	67.5	90.0
0	1818	1818	1818	1818	1818
5	1811	1822	1850	1852	1861
15	1745	1812	1839	1843	1848
25	1625	1711	1743	1766	1768
35	1448	1531	1585	1651	1673
45	1211	1287	1402	1507	1538
55	911	1015	1182	1386	1441
65	569	698	946	1055	1090
75	226	423	628	823	877
85	29	192	412	579	625
90	12	109	293	443	502
95	11	55	214	335	395
105	6	9	79	128	144
115	0	0	22	56	68
125	0	0	2	15	25
135	0	0	0	1	6
145	0	0	0	0	0
155	0	0	0	0	0

**LUMINANCE DATA (CD/SQ. M)**

	0-DEG	45-DEG	90-DEG
45	7605	7508	7885
55	6955	7259	8355
65	5762	7060	7535
75	3558	6213	7799
85	1100	6329	8136

**ZONAL LUMEN SUMMARY (@ 5000 LUMENS PER LAMP)**

ZONE	LUM.	%LAMP	%FIXT
0 - 30	1490	14.9	21.6
0 - 40	2484	24.8	36.0
0 - 60	4623	46.2	69.0
0 - 90	6556	65.6	95.1
90 - 120	331	3.3	4.8
90 - 130	339	3.4	4.9
90 - 150	339	3.4	4.9
90 - 180	339	3.4	4.9
0 - 180	6896	69.0	100



**COEFFICIENTS OF UTILIZATION ZONAL CAVITY METHOD**

RF	20	20	20	20	20	20
RC	80	70	50	30	10	0
RW	70 50 30 10	70 50 30 10	50 30 10	50 30 10	50 30 10	0
0	81 81 81 81	79 79 79 79	75 75 75	71 71 71	67 67 67	66
1	73 69 65 62	70 67 64 61	63 61 58	60 58 56	57 55 53	52
2	65 59 54 49	63 57 53 48	54 50 47	51 48 45	49 46 44	42
3	59 51 45 40	57 50 44 40	47 42 38	45 41 37	43 39 36	34
4	54 45 39 34	52 44 38 33	42 36 32	40 35 32	38 34 31	29
5	50 40 34 29	48 39 33 28	37 32 28	35 31 27	34 30 26	25
6	46 36 29 25	44 35 29 25	33 28 24	32 27 24	31 26 23	21
7	42 32 26 22	41 32 26 22	30 25 21	29 24 21	28 24 20	19
8	39 30 21 17	38 29 23 19	28 22 19	27 22 18	25 21 18	17
9	37 27 21 17	35 26 21 17	25 20 17	24 20 17	23 19 16	15
10	34 25 19 16	33 24 19 15	23 19 15	23 18 15	22 18 15	13

**WARRANTY:** The Light Edge, Inc. warrants the MONSOON™ to be free from defects in material and workmanship for 2 years from date of purchase, exclusive of lamps, ballasts, and optional electrical devices. Refer to website for complete warranty information.