



**INDIRECT LUMINAIRE**

**FEATURES & SPECIFICATIONS**

This slim profile indirect T5HO fluorescent commercial luminaire is enclosed to protect lamps and optics from air-supply drafts and accumulated dust. With a near tool-less design the HARRIER™ is ready to install right out of the box – even lamps come pre-installed. Rated at 93 L/W (54 watt lamp), this product offers outstanding savings on installation and maintenance labor costs.

**UL/CUL Damp Location Listed. MADE IN USA.**

**Housing**

One-piece extruded aluminum housing with integral ballast heat-sink. Reflectors easily removed for access to ballast/wiring compartment. 16 gauge aluminum end plates. Wiring hole in endplate. Clear anodized standard finish. Anodized colors available.

**Electrical**

Ballasts are CBM certified HPF electronic programmed start, 0.99 power factor, <10% THD, UL/CSA listed, Type 1 Class P. Lamp holders are positive-lock, captive rotor type.

**Optics**

95% reflective, fritted, hard-anodized specular aluminum roll-formed engineered T5 reflector. Clear impact-modified, linear-prismed snap-on acrylic lens with nominal 8% downlight. Consult factory for other lensing options.

**Mounting**

Fixture suspended from endplates with optional seismic-rated adjustable cable gripper and 1/16" nominal cable set. Grippers install and positively lock without tools and have a withstand rating in excess of 10X the luminaire weight.

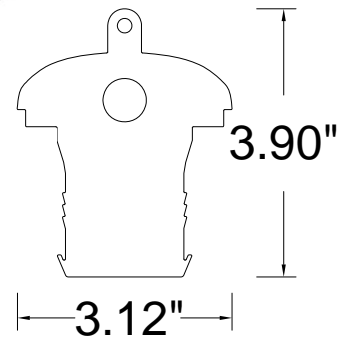
**Shipping**

Shipped assembled & fully tested in Protective Job Pack.

<b>Project</b>	
<b>Fixture Type</b>	
<b>Catalog #</b>	
<b>Distrib/Cont</b>	
<b>Date:</b>	<b>Prepared By:</b>

**HARRIER™ Series**  
**HAR1™**

PATENT PENDING



**Dimensions**

3.12"W x 3.9"H x 47.75"L

**Weight : 4 lbs. 12 oz.**

**CATALOG NUMBER LOGIC:**

FIXTURE MODEL	FIXTURE LENGTH	LAMP WATTS	LAMP COLOR TEMP.	BALLAST	OPTIONS
---------------	----------------	------------	------------------	---------	---------

**BALLAST AND OPTIONS DESCRIPTIONS:**

**MODEL:**  
HAR1 = HARRIER™ 1 LAMP PROFILE

**LENGTH:**  
4 = 4 FEET NOMINAL (1 LAMP TOTAL)  
8 = 8 FEET NOMINAL (2 LAMP TOTAL)

**BALLAST:**  
MV = MULTI-VOLTAGE (120V to 277V, 50/60 Hz)  
D3 = DEDICATED 347V  
DM = DIMMING BALLAST (Specify manufacturer & model)

**OPTIONS:**  
\*SPECIFY LENGTH OF DROP IN FEET  
PC = PHOTOCCELL, FIXTURE MOUNTED (SHIPS INSTALLED)  
EM = EMERGENCY BATTERY BALLAST  
EMT = EMERGENCY BATTERY BALLAST, SELF-TESTING

**LAMP WATTAGE:**  
54 = 4' & 8' (NOM.) 54W HO (5000 LUMENS)  
28 = 4' & 8' (NOM.) 28W HE (2900 LUMENS)

**MOUNTING:**  
\* SPECIFY LENGTH OF DROP IN FEET  
ASP\* = Powered aircraft cable kit, one circuit, slotted gripper (fits hang tabs)  
ASPB\* = Powered aircraft cable kit, two circuits, slotted gripper (fits hang tabs)  
CR = Continuous row assembly (per fixture)

**COLOR TEMPERATURE (LAMP):**  
30 = 3000 K      50 = 5000 K  
35 = 3500 K      65 = 6500 K  
41 = 4100 K      XX = NO LAMPS



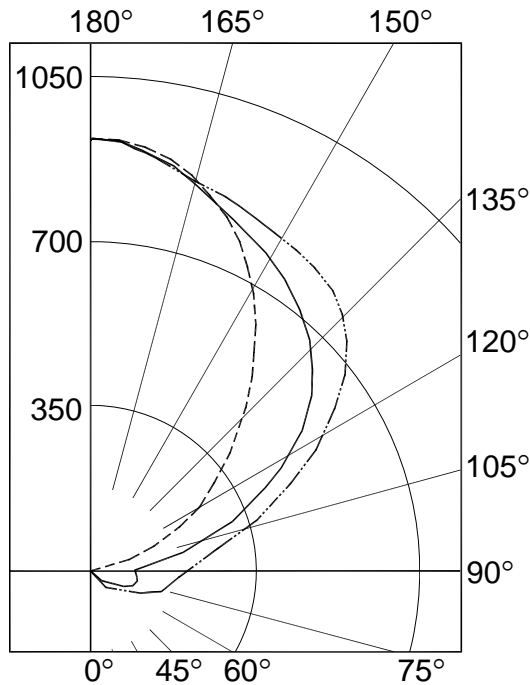
# HARRIER™ Series

## HAR1™

### PHOTOMETRIC TEST REPORT:

REPORT NUMBER: ITL52934  
CATALOG NO.: HAR1-4-54-35-MV-XX  
TOTAL INPUT WATTS: 56.9  
FIXTURE EFFICIENCY: AT 5000 LUMENS – 67.8%  
AT 4450 LUMENS – 72.9%

#### DISTRIBUTION CURVE



LEGEND 0-deg: - - - - -  
45-deg: \_\_\_\_\_  
90-deg: - · - · - · -

#### CANDELA DISTRIBUTION

	0.0	22.5	45.0	67.5	90.0
0	0	0	0	0	0
5	0	0	0	0	0
15	0	0	2	6	8
25	0	3	10	19	24
35	0	8	25	40	44
45	0	13	40	58	63
55	0	22	62	83	89
65	0	32	92	121	125
75	0	32	96	155	170
85	0	33	103	166	192
90	0	37	103	180	211
95	17	62	140	216	247
105	93	161	267	332	359
115	203	300	426	493	512
125	329	452	583	654	673
135	473	580	693	769	791
145	636	689	767	819	840
155	788	800	825	856	867
165	900	896	891	893	896
175	957	956	952	951	950
180	963	963	963	963	963

#### LUMINANCE DATA (CD/SQ. M)

	0-DEG	45-DEG	90-DEG
45	0	749	1106
55	0	1325	1748
65	0	2374	2954
75	0	3487	4939
85	0	4940	7849

#### ZONAL LUMEN SUMMARY (@ 5000 LUMENS PER LAMP)

ZONE	LUM.	%LAMP	%FIXT
0 - 30	7	0	0
0 - 40	22	0	1
0 - 60	98	2	3
0 - 90	381	8	11
90 - 120	806	16	24
90 - 150	2281	46	67
90 - 180	3006	60	89
0 - 180	3388	68	100



**ARRA**  
Funding Compliant

#### COEFFICIENTS OF UTILIZATION ZONAL CAVITY METHOD

RF	20	20	20	20	20	20
RC	80	70	50	30	10	0
RW	70 50 30 10	70 50 30 10	50 30 10	50 30 10	50 30 10	0
0	66 66 66 66	58 58 58 58	42 42 42	27 27 27	14 14 14	8
1	59 56 53 51	51 49 46 44	35 33 32	22 21 20	10 10 09	4
2	54 48 44 40	46 42 38 35	30 28 25	19 17 16	09 08 07	3
3	49 42 37 33	42 36 32 29	26 23 21	16 15 13	07 06 06	2
4	44 37 32 27	38 32 27 24	23 20 17	14 12 11	06 05 05	1
5	40 33 27 23	35 28 24 20	20 17 15	13 11 09	06 05 04	1
6	37 29 23 20	32 25 21 17	18 15 12	11 09 08	05 04 03	1
7	34 26 21 17	29 22 18 15	16 13 11	10 08 07	04 03 03	0
8	31 23 18 15	27 20 16 13	14 11 09	09 07 06	04 03 02	0
9	29 21 16 13	25 18 14 11	13 10 08	08 06 05	04 03 02	0
10	27 19 14 11	23 17 13 10	12 09 07	07 06 04	03 02 02	0

**WARRANTY:** The Light Edge, Inc. warrants the HARRIER™ to be free from defects in material and workmanship for 15 years from date of purchase, exclusive of lamps, ballasts, and optional electrical devices. Refer to website for complete warranty information.